

CONVENIENCE STORE & PETROLEUM LIGHTING SOLUTIONS

Design • Purchase • Installation Support



HISTORY

FROM A PETROLEUM NAME YOU CAN TRUST, BACKED BY A TIME-TESTED LIGHTING INDUSTRY LEADER

On November 8, 1904, Harvey Hubbell II patented the first detachable electric plug in the United States. The Separable Attachment-Plug, US patent number 774,250, followed Hubbell's electric switch design in 1891 and his patent for the pull-chain electrical light socket in 1896.

With a long history in pioneering lighting technology that not only provides the best lighting but also performs as efficiently as possible, you know you are getting only the best.

- Industry Leader in LED Technology
- Innovative Fixture Design
- Quick Ship Program
- Industry Best Warranty
- Unbeatable Customer Service
- Turn-key Projects
- Free Energy/Retrofit RDI Analysis

Since 1956, over 64 years in business as a leader in gas station lighting!



LED CANOPY SOLUTIONS

Whether for new construction or retrofit, Whiteway's canopy fixtures are the perfect solution for all applications.

Retrofitting your current fixtures has never been easier. Whiteway offers a complete one-for-one LED solution for every application in a convenience store achieving an updated and aesthetically pleasing appearance for customers and store owners. By utilizing highly efficient LED fixtures, you will see immediate energy savings.



VSH - Edge-Lit Canopy

- Edge-Lit lighting technology
- Low profile, stylish luminaire
- Low glare design
- Almost invisible, disappears into the Canopy
- Even illumination, no hot spots. Low glare, no pixilation
- Doesn't distract but great illumination at the pumps
- Integral heat sink
- Edge to edge light emitting surface
- Nothing protrudes above the canopy
- 3/4" conduit connection
- Universal Retrofit solution
- IP65 Rating
- Pendant or Surface Mounted
- Cast aluminum

LIGHT GUIDE TECHNOLOGY

Light Guide Technology optimizes LED edge lighting. This technology delivers the most efficient LED-based edge lighting to date. The components combine laser-cut optics and high brightness LED's in a thin construction, providing exceptional output while spreading light uniformly, reducing the number of LEDs required while precisely extracting light for optimal performance.

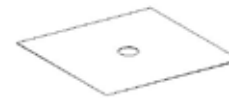
Molded light guides enable outstanding edge-lit backlighting performance, and that can reduce the high cost, thickness, and power consumption associated with traditional direct backlighting methods that use an LED array under the display.

SAFETY AND SECURITY

Quality lighting provides a sense of security for your customers, resulting in an increase in traffic at your business. Good lighting is a significant deterrent against vandalism and other crimes that transpire where lighting is dim or insufficient during the evening and night hours.

Versatile Mounting Accessories

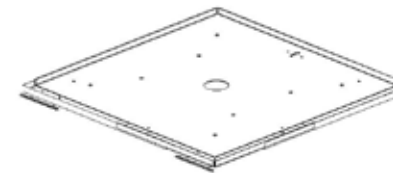
Whiteway has a solution for you retrofit needs with its accessory selection.



Retrofit Cover plate for LSI Encore
13" square-replacement for 10" opening
93133148



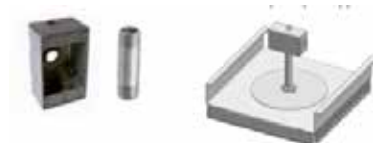
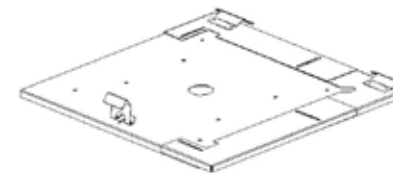
Decorative Beauty plate
for Canopy Retrofits
93133149



Universal HID retrofit kit
Fits square surface mounted retrofit kit for:

- 21" Whiteway Vision
- Riviera II
- Thunderbird housing
- 22" Jet Philips Hustonian SHO/RHO2
- 23" LSI Masters/Dakota*

93133151



Pendant Mount Kit
93133177

GALASY II

GSY - Surface Mount Canopy

- Field serviceable from under canopy
- Replaceable driver
- Value focused, budget friendly solution
- Almost invisible, disappears into the Canopy
- Even illumination, not hot spots. Low glare, no pixilation
- Doesn't distract but great illumination at the pumps
- Integral heat sink
- Edge to edge light emitting surface
- Nothing protrudes above the canopy
- ¾" conduit connection
- Universal Retrofit solution
- IP65 Rating
- Pendant or Surface Mounted
- Cast aluminum



LOW MAINTENANCE AND SERVICEABILITY

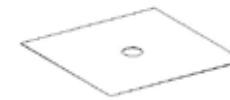
The Galasy II is designed for easy installation and maintenance. The driver compartment can be accessed on both of these fixtures from below, thereby simplifying a replacement should that may be necessary at some point in the future.

Featuring ¾" conduit connection for wiring and/or pendant mounting. The fixture is mounted to the ceiling panel with 4 screws. It has external dimming leads, so there is no need to open the fixture for installation. The mounting hole pattern is symmetrical & square, so the fixture can be rotated for whatever reason after the holes are created in the ceiling.

There is a hanging bracket/hinge to retain the bottom of the fixture but also allowing it to swing out of the way for access. The serviceable components (driver, surge) are all accessible. The fixture doesn't have to be removed for service. The lower half contains just the light engine components, so it could be replaced completely, possibly for an upgrade. The only connections would be the driver output to the LEDs and a ground strap.

Versatile Mounting Accessories

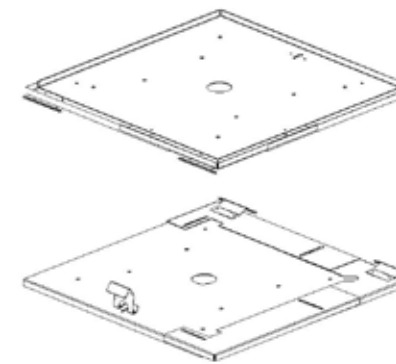
Whiteway has a solution for you retrofit needs with its accessory selection



Retrofit Cover plate for LSI Encore
13" square-replacement for 10" opening
93133148



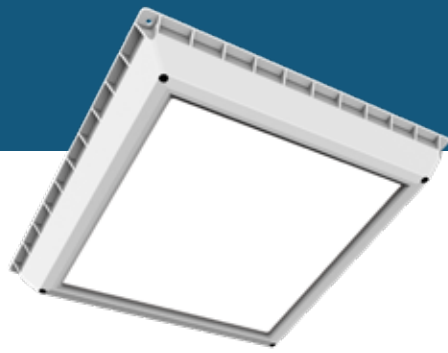
Decorative Beauty plate
for Canopy Retrofits
93133149



Universal HID retrofit kit
Fits square surface mounted retrofit kit for:
• 21" Whiteway Vision
• Riviera II
• Thunderbird housing
• 22" Jet Philips Hustonian SHO/RHO2
• 23" LSI Masters/Dakota*
93133151



Pendant Mount Kit
93133177



GALASY II

ORDERING GUIDE

Example: VSH-85-5K7-UNV-WHT

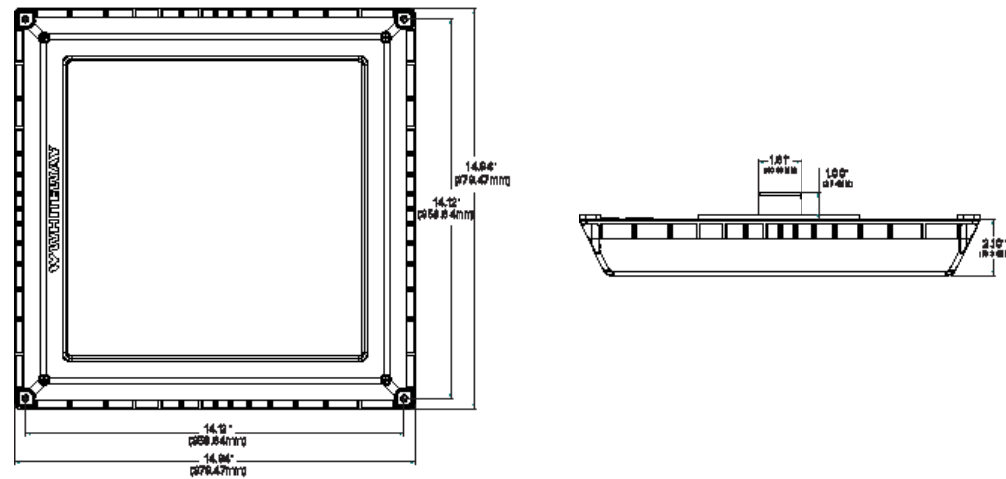
CATALOG #

VSH		70		Voltage		Options	
Series	Size	CRI	Color Temp				
VSH Vanish	55 85 145	70 CCT	4K7 5K7	UNV Universal	347 347V	WHT White	DBT Dark Bronze BLK Black



KEY DATA	
Lumen Range	8,800 - 20,200
Wattage Range	85-145 Watts
Efficacy Range (LPW)	138 - 157
Reported Life (Hours)	60,000

DIMENSIONS



LOW ENERGY COSTS, LOW MAINTENANCE

Whiteway LED Lighting provides a significant cost savings over traditional HID Lighting. With power savings up to 79% and virtually no maintenance cost, your savings can be spent on other facets of your business. Our 5 Year limited warranty, will provide you with peace of mind knowing that Whiteway products have been around for a long time and are built to last.

ORDERING GUIDE

Example: GSY100-704K-UNV

CATALOG #

GSY		70		Voltage	
Series	Size	CRI	Color Temp		
GSY Galasy II	100	70 CRI	4K 4000 5K 5000	UNV Universal	

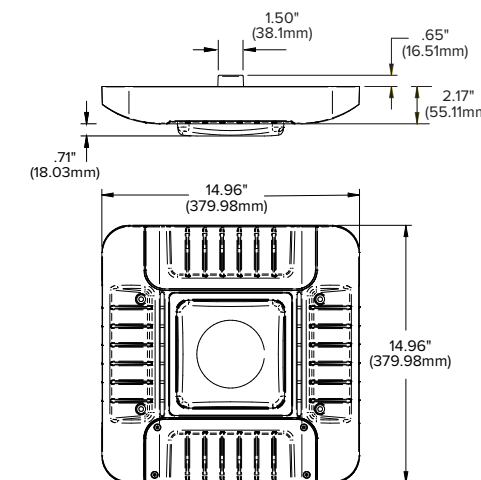


STOCK ORDERING INFORMATION

Catalog Number	Catalog Name	Mounting	Distribution	Wattage	Voltage	Lumens	LPW	CCT	Weight lbs. (kg)
93131271	GSY-100-5K7	Pendant/Surface	IV	100W	120-277V	14,000	140	5000K/70	8.00 (3.62)
93131585	GSY-100-4K7	Pendant/Surface	IV	100W	120-277V	14,000	140	4000K/70	8.00 (3.62)

KEY DATA	
Lumen Range	15,400 - 15,500
Wattage Range	100 Watts
Efficacy Range (LPW)	153
Reported Life (Hours)	60,000

DIMENSIONS



OUTDOOR LIGHTING

Hubbell Outdoor Lighting brands provide comprehensive and coordinated solutions for a variety of exterior applications. A full line of luminaires are available with complementing shapes and styles that is proportionally scale and add balance to the outdoor environment. Quality construction and industry leading performance complete the package. Control options featuring photocontrols, occupancy controls and NX Distributed Intelligence™ enable optimum energy savings and customization.



SLING

Slender Wallpacks

A wide variety of options, controls, mounting configurations, lumen outputs, CCT's and paint finishes gives the Sling tremendous versatility. Options include high voltage (347/480V), comfort lens, photocell, occupancy sensor, SiteSync™ wireless programmable controls and battery backup capabilities.



RATIO

Area/Site Family

Ratio features a dense optical array which provides reduced pixelation and increased visual comfort without compromising performance.



Ratio area/site family is available in two sizes as well as a variety of outputs allowing you to customize your lighting design to meet application requirements.



Flood Family

Ratio flood series is available in five sizes as well as a variety of outputs allowing you to customize your lighting design to meet application requirements.

EVERYTHING YOU NEED TO LIGHT YOUR

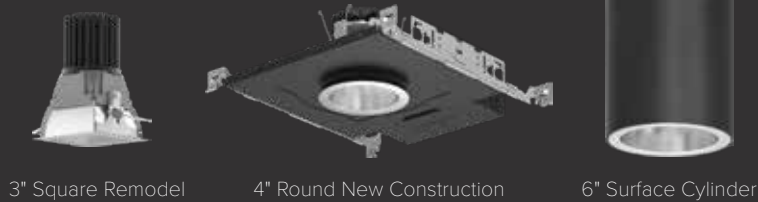
C-STORE INTERIOR



SAVVANO™
Decorative High Bay



LITEISTRY™
Architectural Downlighting Family



3" Square Remodel

4" Round New Construction

6" Surface Cylinder

UTB2
Utilibay™ High Bay



LiteBox
Downlighting Family



LBSLEDA
7" Surface Mount LED Downlight

LBS5LEDA
5" Surface Mount LED Downlight

CFP
Edge-Lit Flat Panel



LCAT
Contemporary Architectural Troffer



SLK
LED Retrofit Kit



MPS
MultiPurpose Linear



lb6/lbeb6
6" LED Downlight and Adjustable



lb4/lbeb4
4" LED Downlight and Adjustable



Columbia
LIGHTING

HUBBELL
Industrial Lighting

prescolite

kurt versen

LITECONTROL
making light work™



SpectraSAFE™ Integrated Surveillance Camera

- Scalable, cloud-enabled and lighting-based wireless video security
- Seamlessly integrated camera; high-resolution full HD, IR emitter, microphone and speaker



EV4D-02WAL
Architectural Emergency Light



LT Series
Designer Combination
Exit/Emergency Light



CEW
Wet Location Exit Sign



LZ Series
Designer Emergency Light



CS Series
Exit with Dynamic
Accessibility Sign



UTILIZE LIGHTING TO EFFECTIVELY AND CONTINUOUSLY DISINFECT YOUR C-STORE!

SPECTRA CLEAN™

ANTIMICROBIAL LIGHTING

Hubbell Lighting's SpectraClean™ luminaire provides continuous environmental disinfection as part of the lighting system. It automatically treats harmful microorganisms that are suspended in air, trapped on objects and residing on surfaces.

SCVM SpectraClean™ Linear Vaportite



SCST SpectraClean™ Striplight



SCLT SpectraClean™ Lensed Troffer



SCCT SpectraClean™ Contemporary Architectural Troffer



SCVW SpectraClean™ Linear Vaportite



<https://www.hubbell.com/hubbellightingci/en/spectraclean>





NX DISTRIBUTED™
INTELLIGENCE

POWERHUBB™
PoE LIGHTING & CONTROL

wISCAPE™

HUBBELL®
Control Solutions

www.hubbellcontrolsolutions.com

COMPLETE YOUR C-STORE INVESTMENT...

SpikeShield® Power Quality Products Wired in Branch Panel Protection

The wired-in surge protection device brick design is ideal for areas where space is a major consideration. The surge unit can be mounted directly to the panel through a chase nipple connection which will reduce lead length and impedance while increasing protection levels.

The 100kA product features a NEMA 4X housing and a 200kA SCCR rating.

The SpikeShield wired-in surge protective devices are UL1449 4th edition listed.

- 100,000 Peak Amperage Capacity
- Ideal for areas where space is a major consideration
- Can be mounted directly to the panel through a chase nipple connection to reduce lead length and impedance

For more information please visit our website at: www.hubbell-wiring.com



In addition to lighting your canopy and your gas pumps, the Whiteway offers a great selection of outdoor and indoor fixtures for Car Washes. This will extend the savings to this other facet of your business while providing quality illumination to your customers.

CVT Linear Vaportite



LXEW Enclosed Gasketed Linear



Hubbell Lighting Brands

ARCHITECTURAL AREA LIGHTING

BEACON PRODUCTS

COLUMBIA LIGHTING

COMPASS

DUAL-LITE

HUBBELL CONTROL SOLUTIONS

HUBBELL INDUSTRIAL LIGHTING

HUBBELL OUTDOOR LIGHTING

KIM LIGHTING

KURT VERSEN

LITECONTROL

PRESCOLITE



2100 Golf Road, Suite 460, Rolling Meadows, IL 60008-4704
Tel: 1-800-LIGHT IT, 1-800-544-4848, Fax: 847-279-0642
www.hubbellighting.com

8/2020

Copyright © 2019 Whiteway, a division of Hubbell Lighting, Inc. All rights reserved. Please refer to online specifications for most up-to-date content as specifications are subject to change without notice.

CONTACT US TODAY!

customerservice@whiteway-ltg.com

